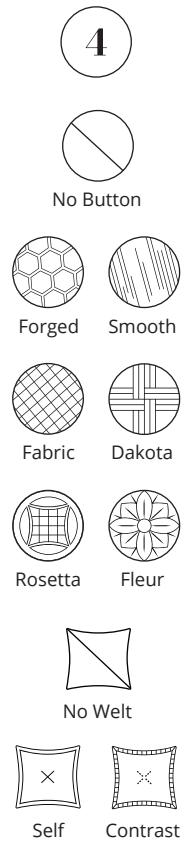
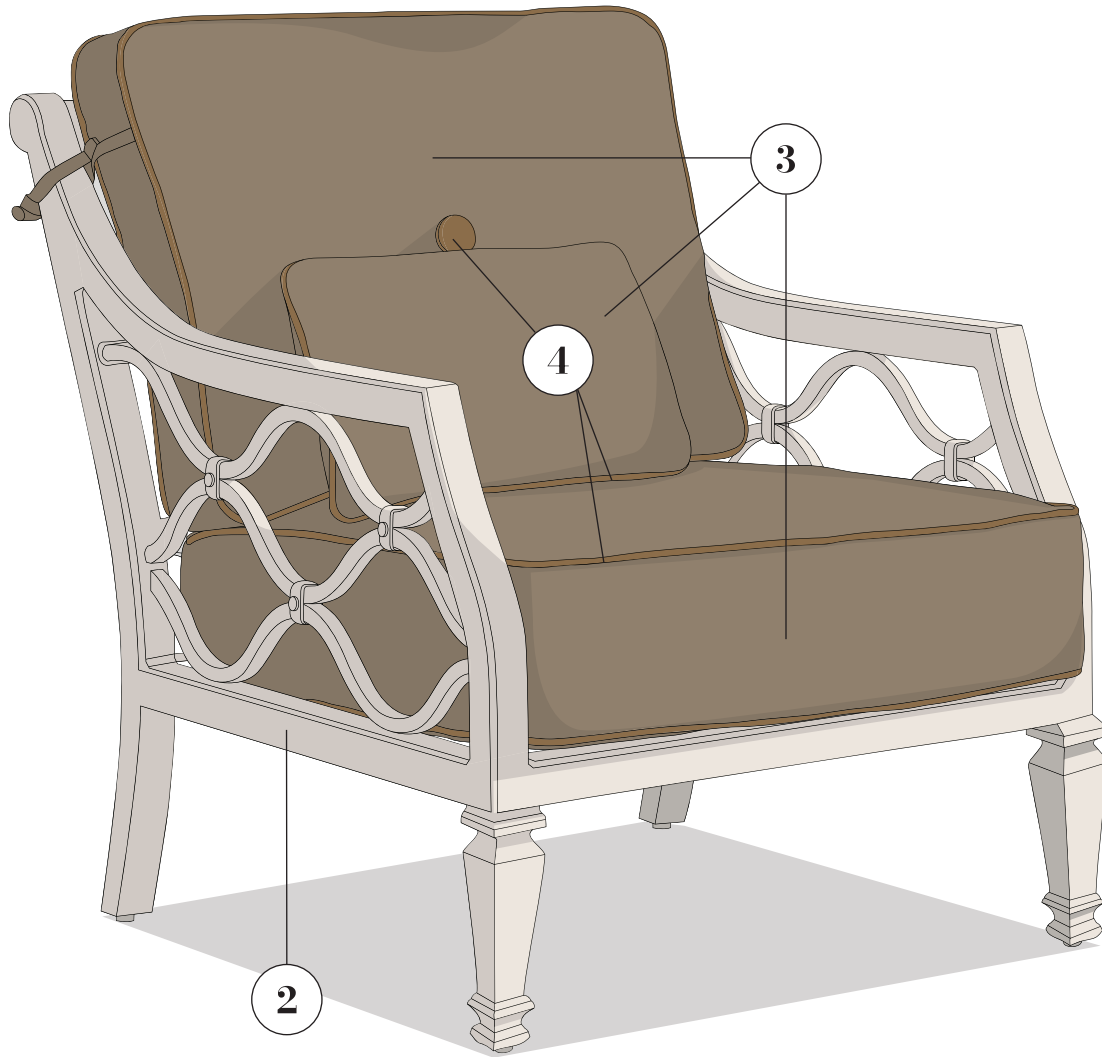
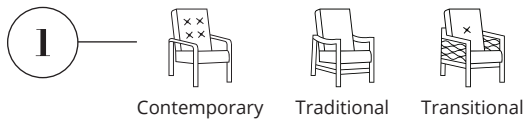


CASTELLE®

HOW TO ORDER GUIDE

Cushion



Steps to Configure Cushion Products



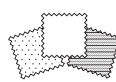
1. Select Item

Choose an option from our collection of contemporary, traditional, and transitional cushion items.



2. Select Finish

Select the perfect finish from our assortment that harmonizes your outdoor aesthetic.



3. Select Fabrics

Choose from a variety of stylish patterns and colors to create a personalized oasis.*

*Personalized accent and kidney pillows available where applicable



4. Select Welt & Buttons

Add the finishing touches by selecting from an array of elegant welt trims and button accents.

Sling

1



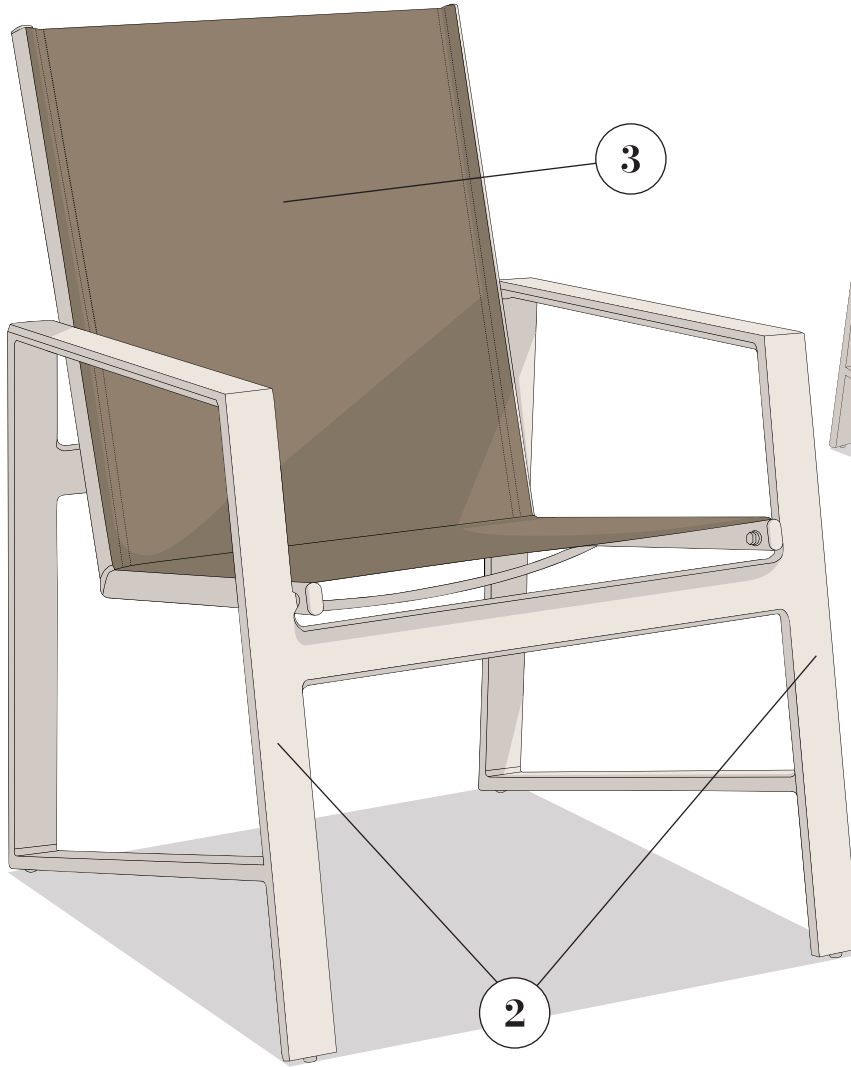
Contemporary



Traditional

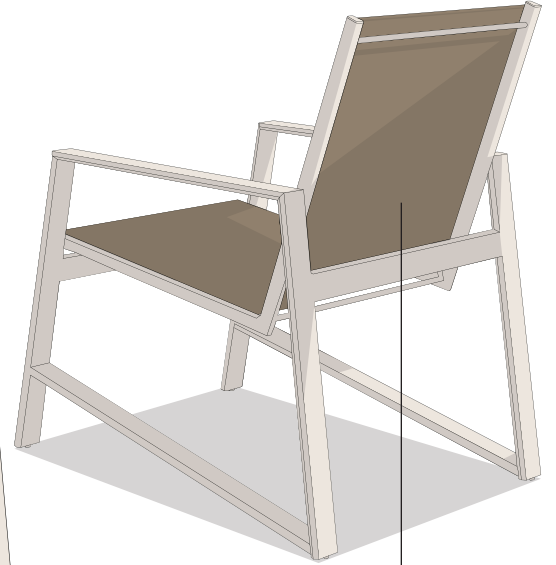


Transitional



3

2



4

Steps to Configure Sling Products



1. Select Item

Choose an option from our collection of contemporary, traditional, and transitional sling or padded sling items.



2. Select Finish

Select the perfect finish from our assortment that harmonizes your outdoor aesthetic.



3. Select Front Fabric

Choose your front sling fabric between stylish patterns and colors.

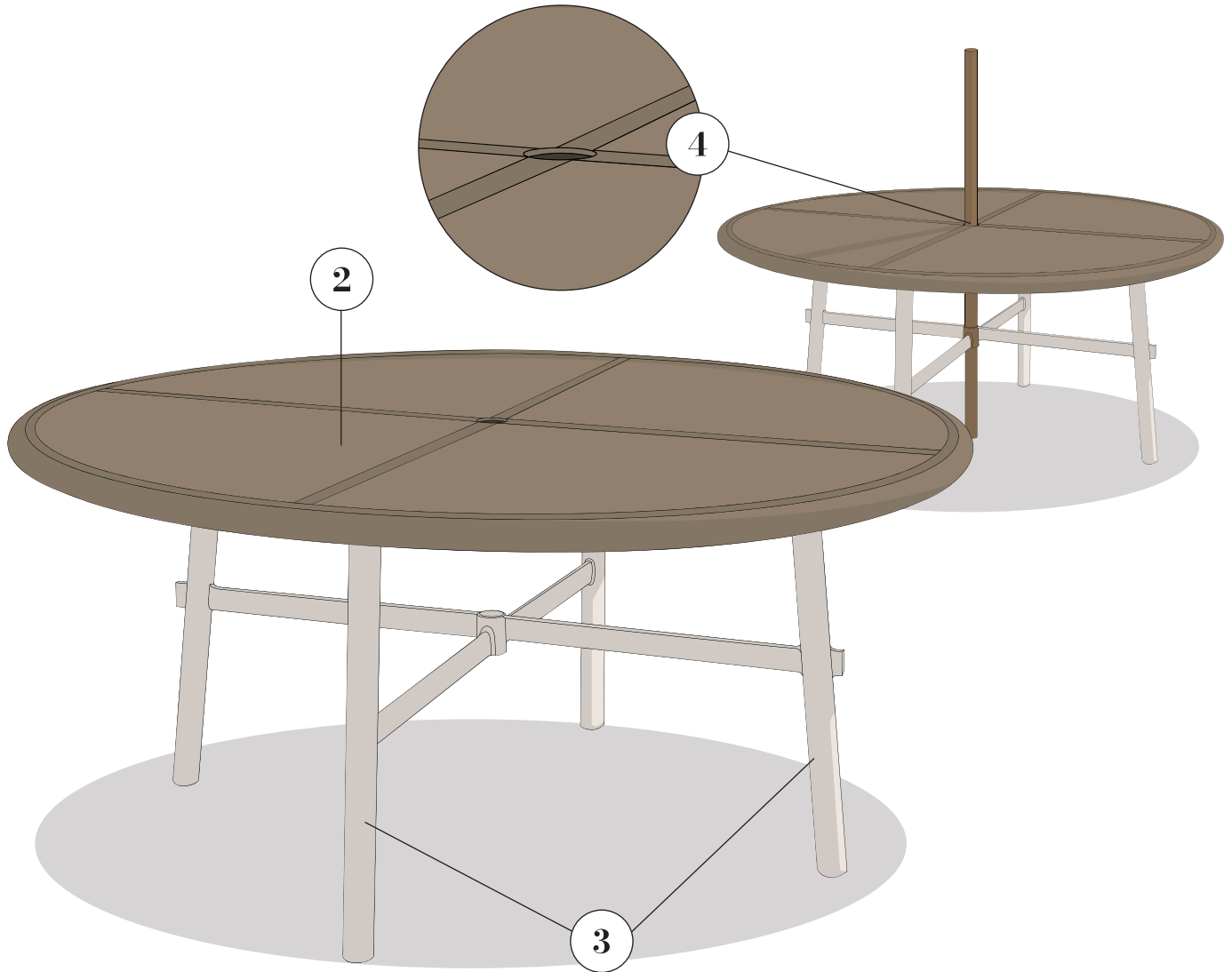
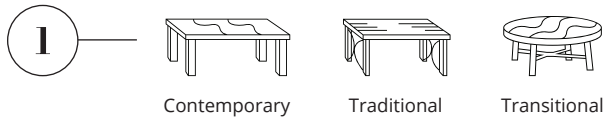


4. Select Back Fabric

Choose your back sling fabric between stylish patterns and colors.*

*Available only with Padded Sling Option

Table



Steps to Configure Table Products



1. Select Item

Choose an option from our collection of contemporary, traditional, and transitional table items.



2. Select Top

Select a unique top design to complement any style or aesthetic.



3. Select Finishes

Choose from a stunning array of premium frame finishes to apply onto the table.*

*Additional table top finish selection available where applicable

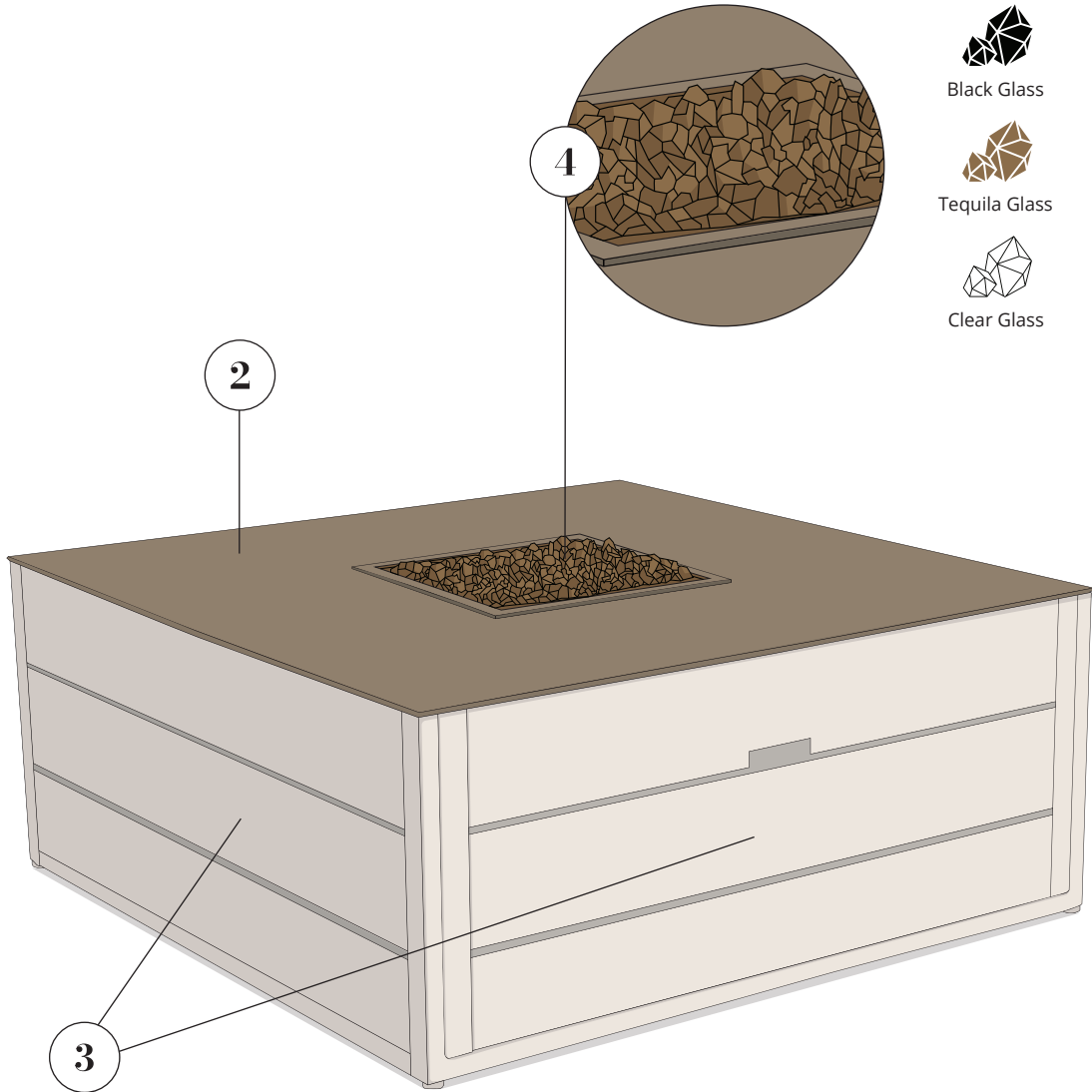
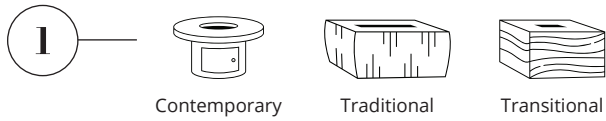


4. Select Umbrella Option

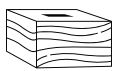
Choose table item to be configured with or without an umbrella hole.*

*Hole not available with coffee, occasional tables and other selected tops

Fire Pit



Steps to Configure Fire Pit Products



1. Select Item

Choose an option from our collection of contemporary, traditional, and transitional fire pits.



2. Select Top

Select a unique top design to complement any style or aesthetic.



3. Select Finishes

Choose from a stunning array of premium frame finishes to apply onto the fire pit.*

*Additional table top finish selection available where applicable



4. Select Fire Pit Media

Add the finishing touches by selecting from our assortment of fire pit media colors.

CASTELLE®